



IB RUBINETTI

Collection

IB BOX

Article

INC310

Description

Built-in wall mixer two ways



Box Dimensions

165 x 90 x 85 mm

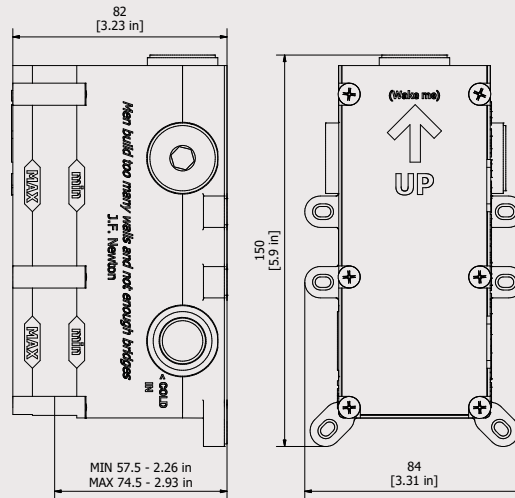
Weight

1.1 kg

Finishes

- **CC**
CHROME
- **CF**
BLACK CHROME
- **BG**
GLOSSY WHITE
- **NG**
GLOSSY BLACK
- **SS**
BRUSHED NICKEL
- **CS**
BRUSHED BLACK CHROME
- **BO**
MATT WHITE
- **NP**
MATT BLACK
- **OO**
GOLD
- **BB**
ANTIQUÉ BRONZE
- **II**
PALE GOLD
- **RR**
ANTIQUÉ COPPER
- **ORS**
ROSE GOLD
- **ON**
NATURAL BRASS
- **IS**
BRUSHED PALE GOLD
- **HH**
PVD CHOCOLATE

Dimensions



Cartridge

Treaded fitting

Treaded fitting G1/2" female

Aerator

Flow Rate (+/-10%)

1 BAR
10.4 l/min

2 BAR
14.7 l/min

3 BAR
18 l/min

Production

Main body is a single hot stamped pieces

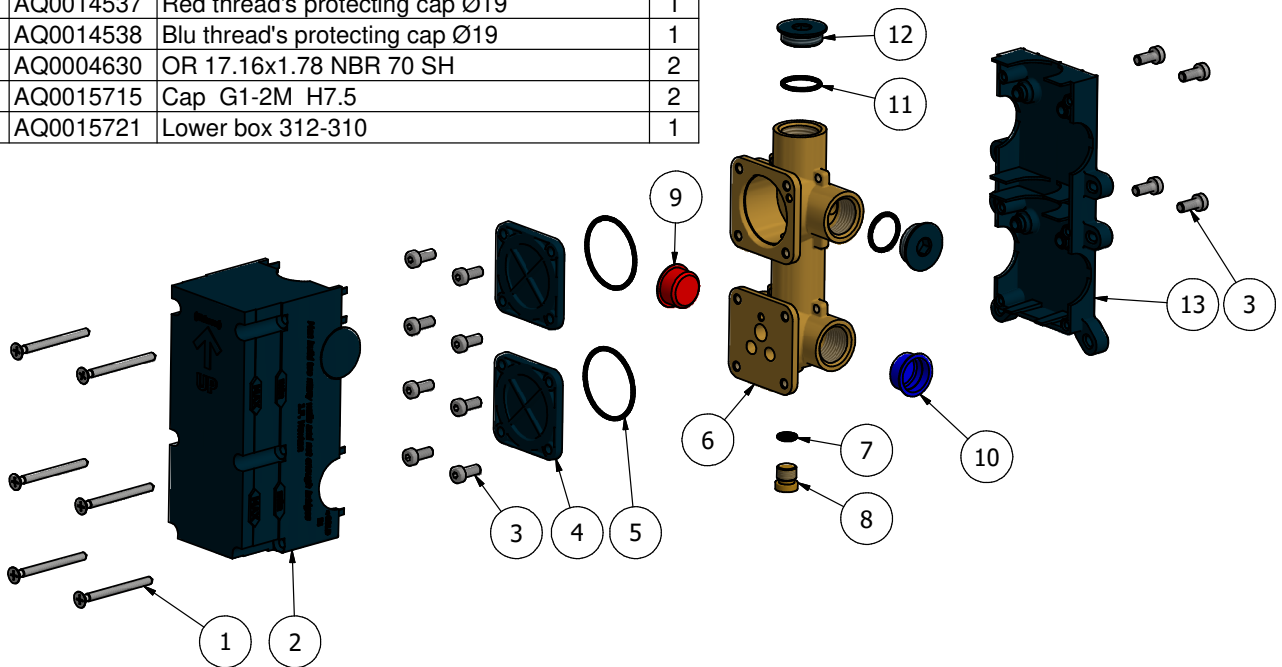
Material

BRASS
According to CuZn42 (CW510L)
Max Lead content:0.2%



IB RUBINETTI

Parts list			
ELEM	CODE	DESCRIPTION	QT
1	AQ0010626	Inox screw Ø4 L50	6
2	AQ0015711	Upper box 312 310	1
3	AQ0015707	Screw DIN 7984 m5x12 TCEI	12
4	AQ0015714	Square cap 48x48 H4	2
5	AQ0006497	OR 34.65x1.78 NBR 70 SH	2
6	CT0002504	Body 310 2-way piston	1
7	AQ0001330	OR 6.75x1.78 NBR 70 SH	1
8	AS0010770	Plug M10x1 H12	1
9	AQ0014537	Red thread's protecting cap Ø19	1
10	AQ0014538	Blu thread's protecting cap Ø19	1
11	AQ0004630	OR 17.16x1.78 NBR 70 SH	2
12	AQ0015715	Cap G1-2M H7.5	2
13	AQ0015721	Lower box 312-310	1



WARRANTY

All IB Rubinetterie SpA products are warranted for 10 years from the date of purchase, for the following cases:

- Defects of casting, porosity and chrome plating.
- Operating defects caused by incorrect fabrication.

The warranty provides for repair or replacement of products with fabrication defects recognized by our technical office. There is no other type of compensation anche the merchandise must be returned FOB our warehouse. The warranty only cover surface defects (scatches, dings, etc.) on fitting that have not been installed and used, returned in its original packaging with all components. O-ring, gasket seals and components subject to wear proportional to use are warranted for 2 years.

The warranty is void in the following cases:

Error installing and putting the product into service.

Deterioration of finished surfaces due to use of cleaning products containing acids or abrasive substances. Deterioration of surface with finishes other than chrome plating. Their durability is, in fact, dependent on the user's care and gentleness of use.

Deterioration of the fitting due incorrect installation.

Improper repairs and maintenance performed without the company's prior authorization.

The warranty from IB Rubinetterie SpA is not renewable.

Cleaning

We recommended cleaning the finish surfaces with water and soap, using a soft cloth.

Do not use detergents that contain hydrochloric acid or abrasive substances.

